

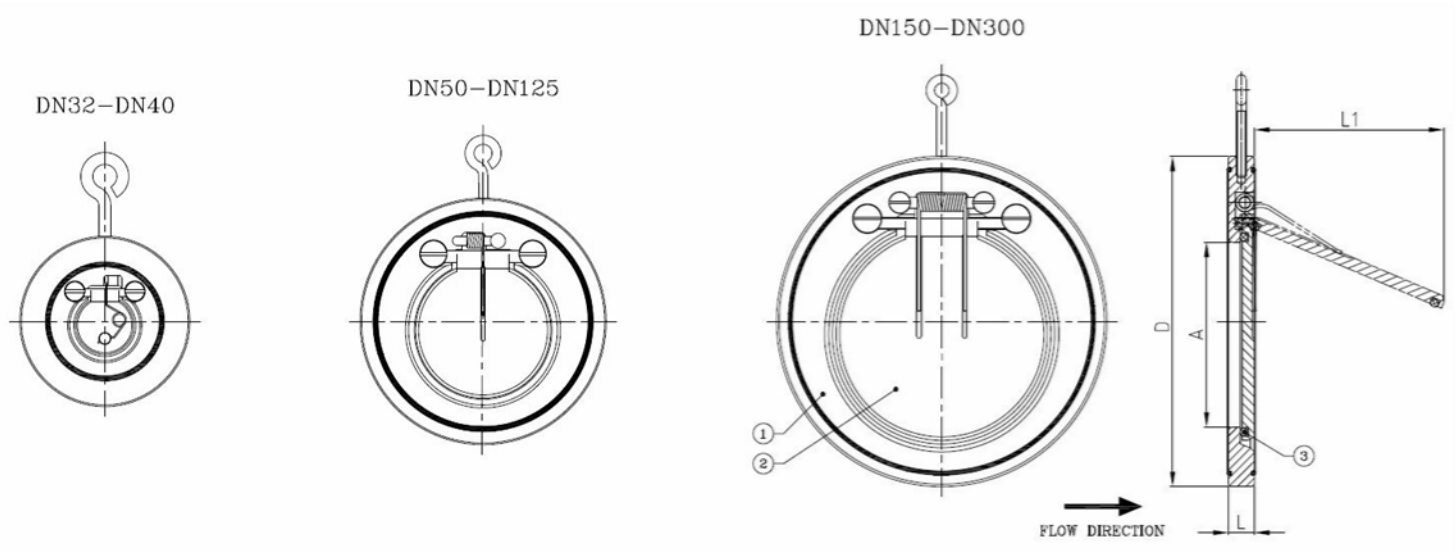
BV39-6666M-PN10/PN16

Wafer type swing check valve with spring, mounting between flanges PN10/16

Face to Face Standard: Factory standard



Item Number	Belven Ref
39307700032	BV39-6666M-PN16-DN032
39307700040	BV39-6666M-PN16-DN040
39307700050	BV39-6666M-PN16-DN050
39307700065	BV39-6666M-PN16-DN065
39307700080	BV39-6666M-PN16-DN080
39307700100	BV39-6666M-PN16-DN100
39307700125	BV39-6666M-PN16-DN125
39307700150	BV39-6666M-PN16-DN150
39307700200	BV39-6666M-PN16-DN200



DN/Size	A	D	L	L1	Press.Cl.	Weight(kg)
DN32 (1 1/4")	18	85	15	22	PN16	0.60
DN40 (1 1/2")	22	95	16	25	PN16	0.80
DN50 (2")	32	109	14	37	PN16	0.90
DN65 (2 1/2")	40	129	14	50	PN16	1.20
DN80 (3")	54	144	14	61	PN16	1.50
DN100 (4")	70	164	18	77	PN16	2.40
DN125 (5")	92	195	18	98	PN16	3.30
DN150 (6")	112	220	20	120	PN16	4.60
DN200 (8")	154	275	22	160	PN16	7.70

Item 1	Item 2	Item 3
Body Material	Disc Material	Seat Material
Stainless steel : 1.4408 (CF8M)	Stainless steel : 1.4408/1.4581 (CF8M/AISI 316Nb)	METAL

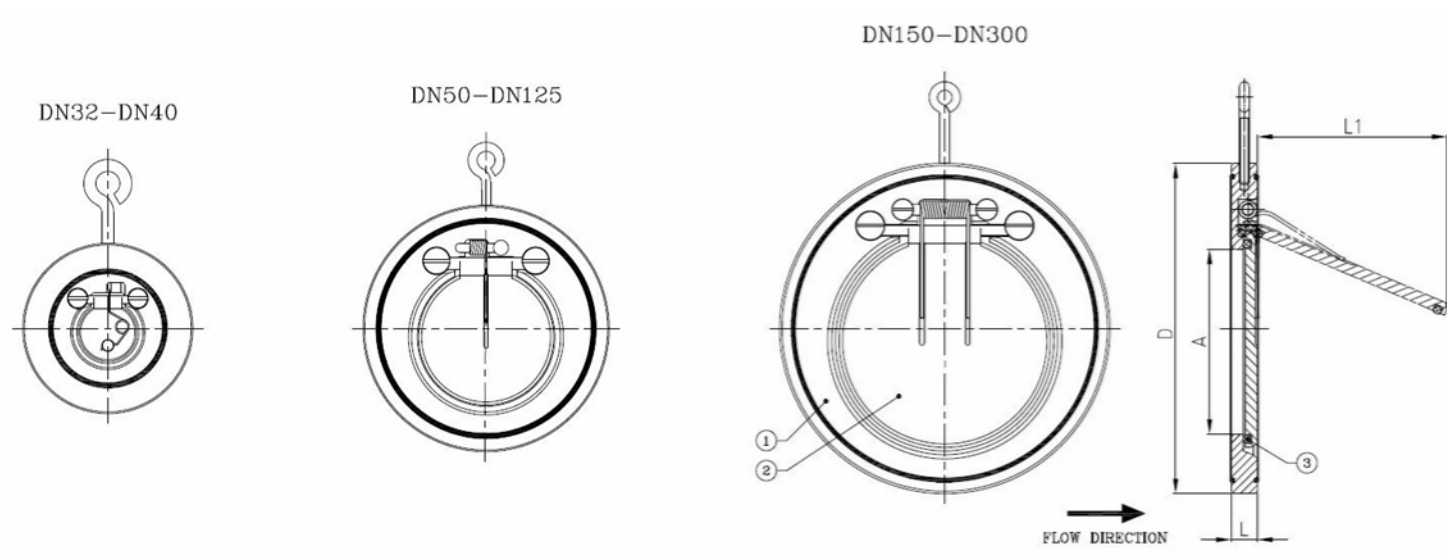
BV39-6666M-PN10

Wafer type swing check valve with spring, mounting between flanges PN10

Face to Face Standard: Factory standard



Item Number	Belven Ref
39207700250	BV39-6666M-PN10-DN250
39207700300	BV39-6666M-PN10-DN300



DN/Size	A	D	L	L1	Press.Cl.	Weight(kg)
DN250 (10")	192	330	26	190	PN10	12.60
DN300 (12")	227	380	32	220	PN10	20.50

Item 1	Item 2	Item 3
Body Material	Disc Material	Seat Material
Stainless steel : 1.4408 (CF8M)	Stainless steel : 1.4408/1.4581 (CF8M/AISI 316Nb)	METAL